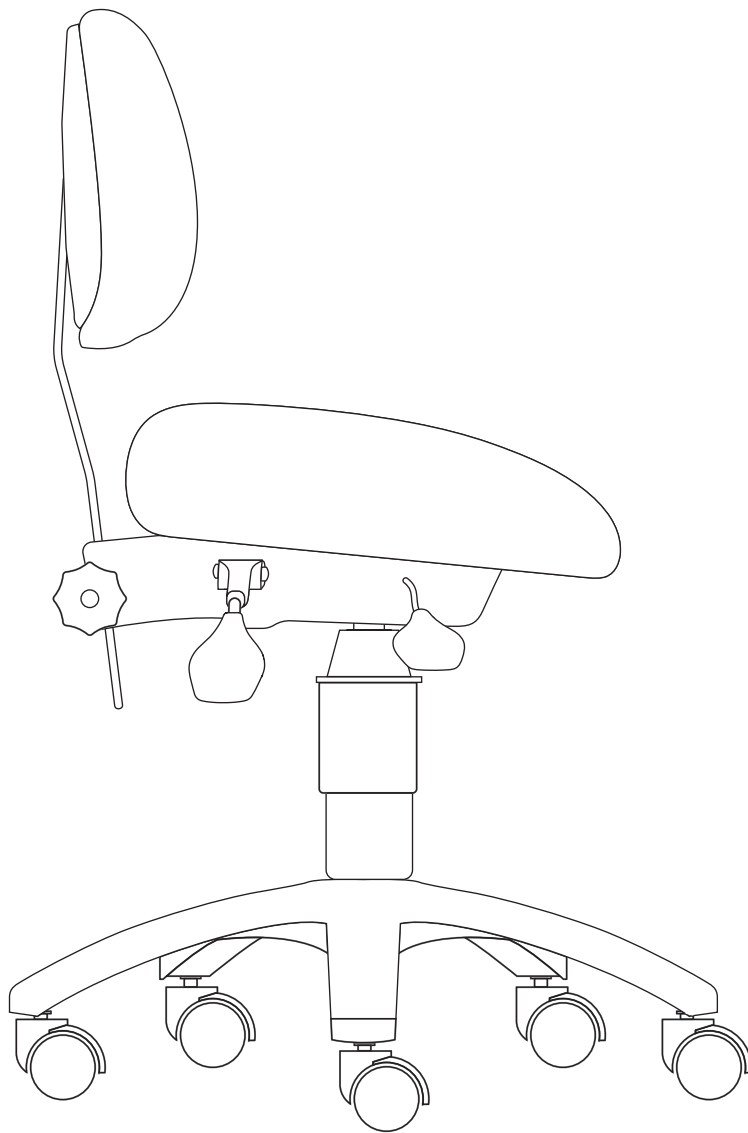


DOCTOR C DENTAL STOOL

ASSEMBLY & MAINTENANCE

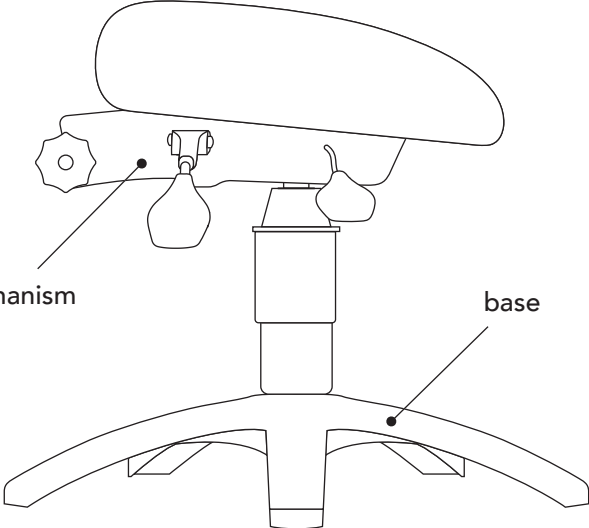


CONTENTS



back bar

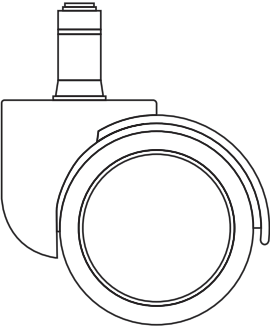
Backrest × 1



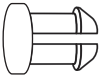
mechanism

base

Stool (lower half) × 1



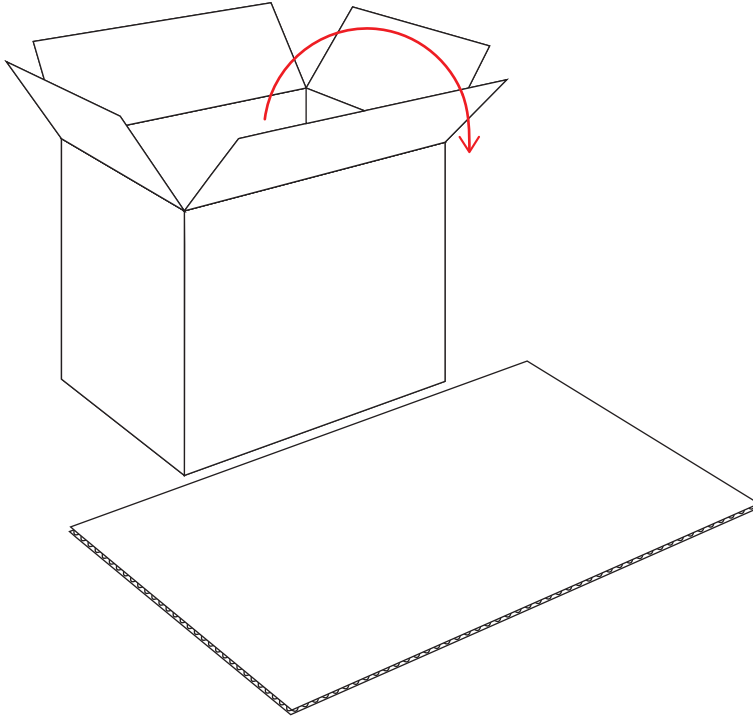
Casters × 5



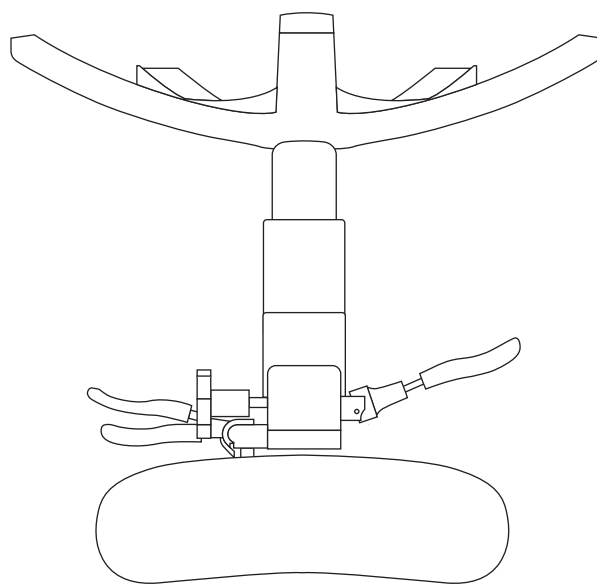
Stop × 1

ASSEMBLY

1. Place the items from the carton onto some cardboard or plastic.

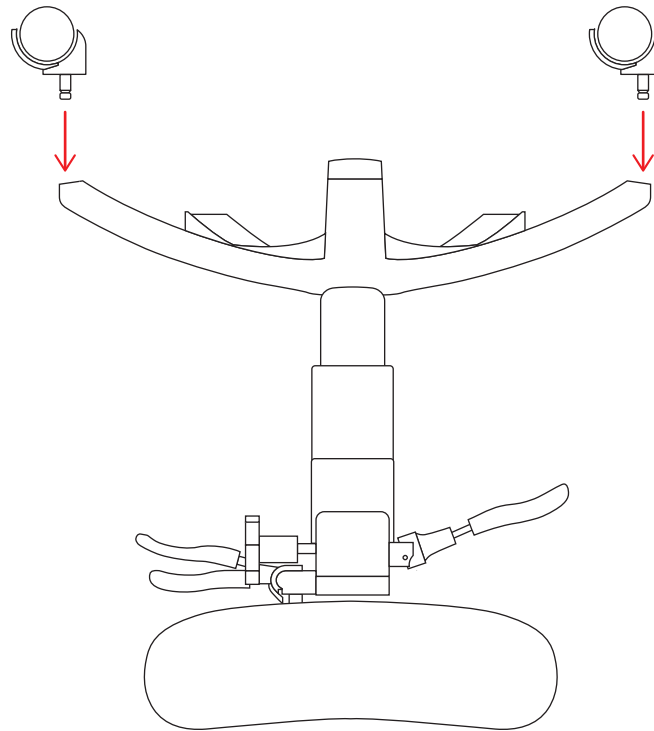


2. Place the stool with the cushion facing down (ensure the cushion is protected from the floor).

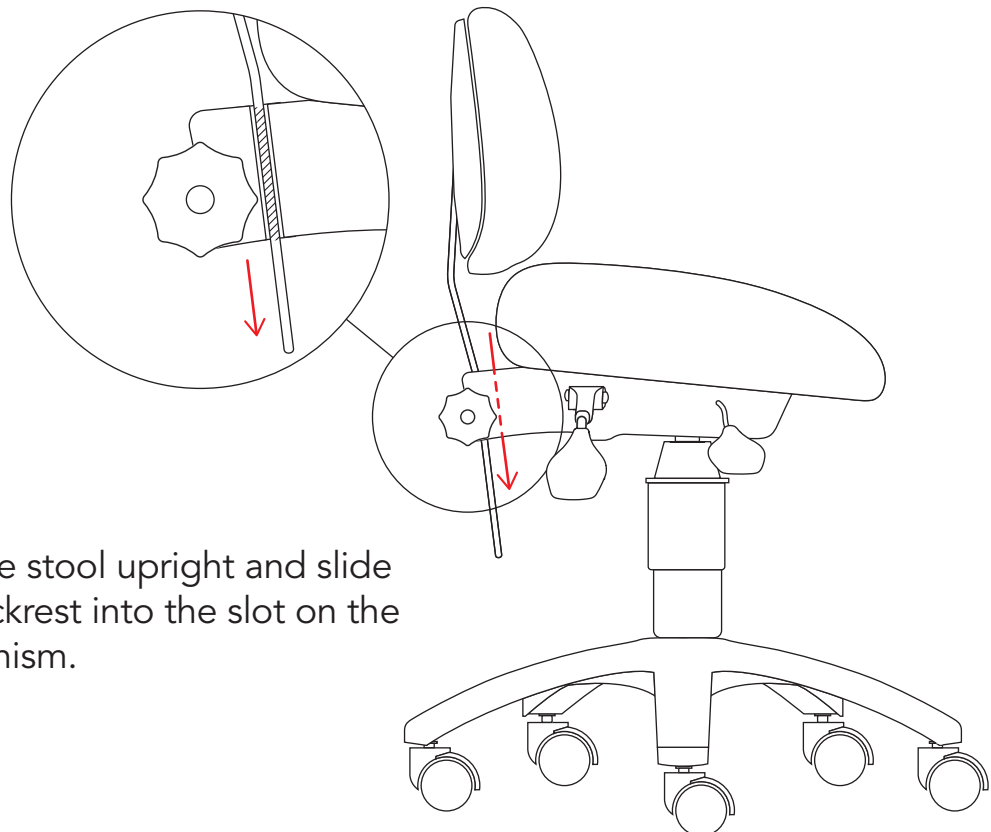


3.

Firmly push the casters into the base (approximately 15mm).

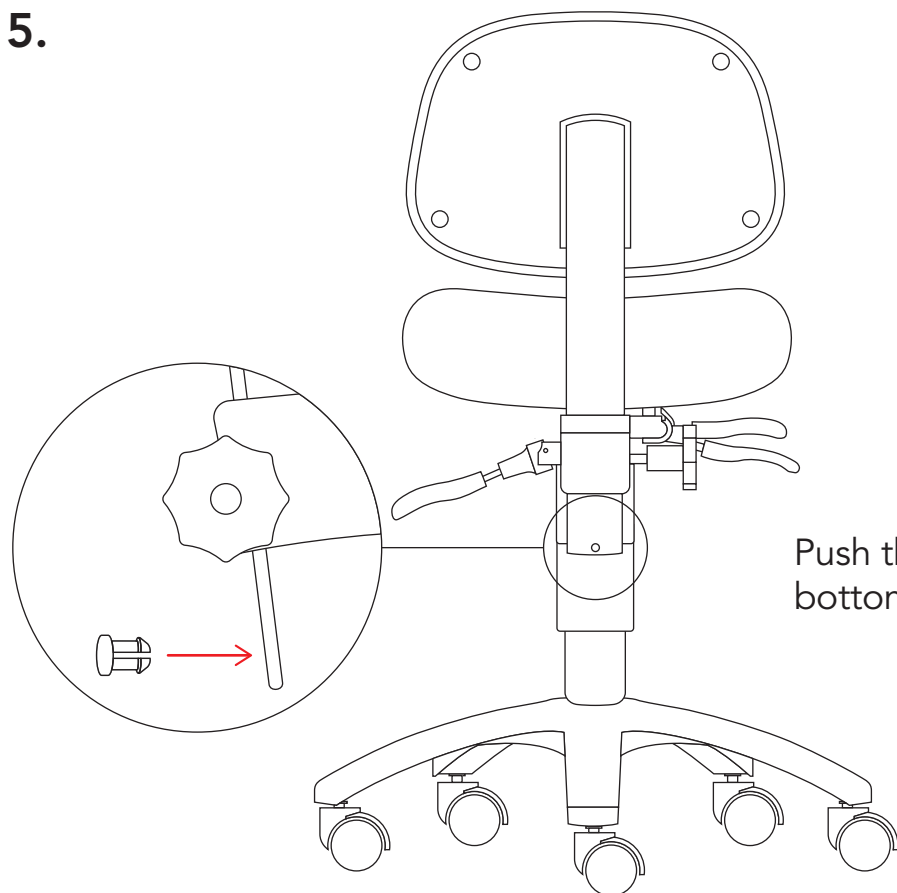


4.



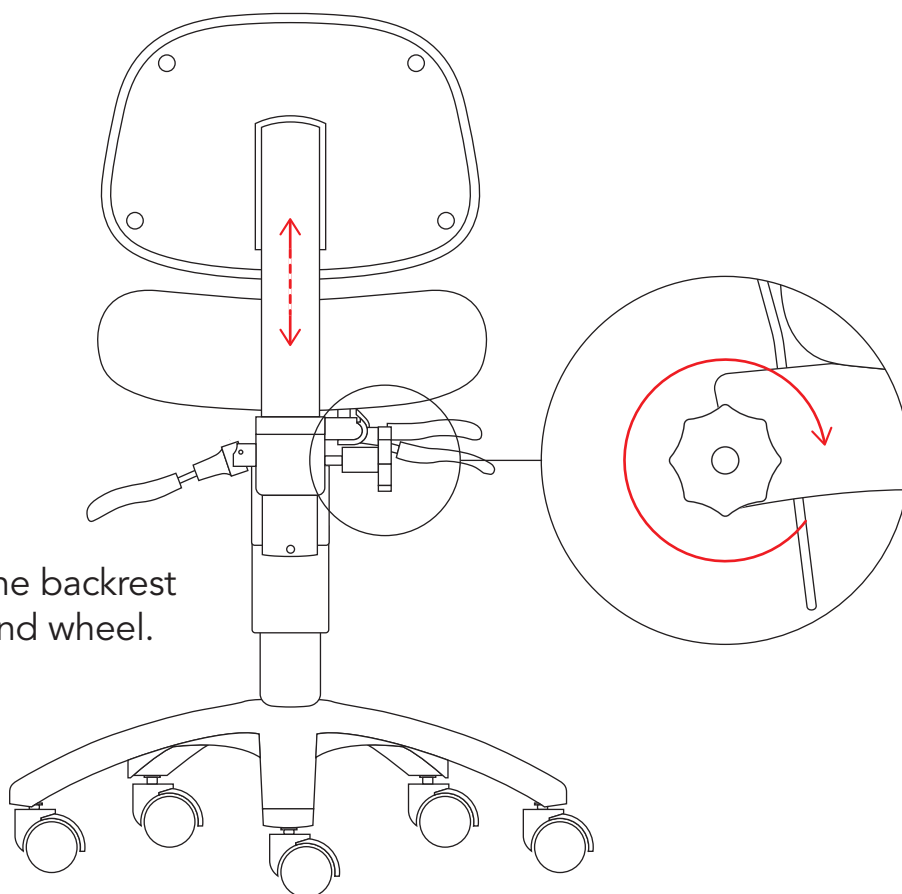
Turn the stool upright and slide the backrest into the slot on the mechanism.

5.



Push the stop into the hole at the bottom of the back bar.

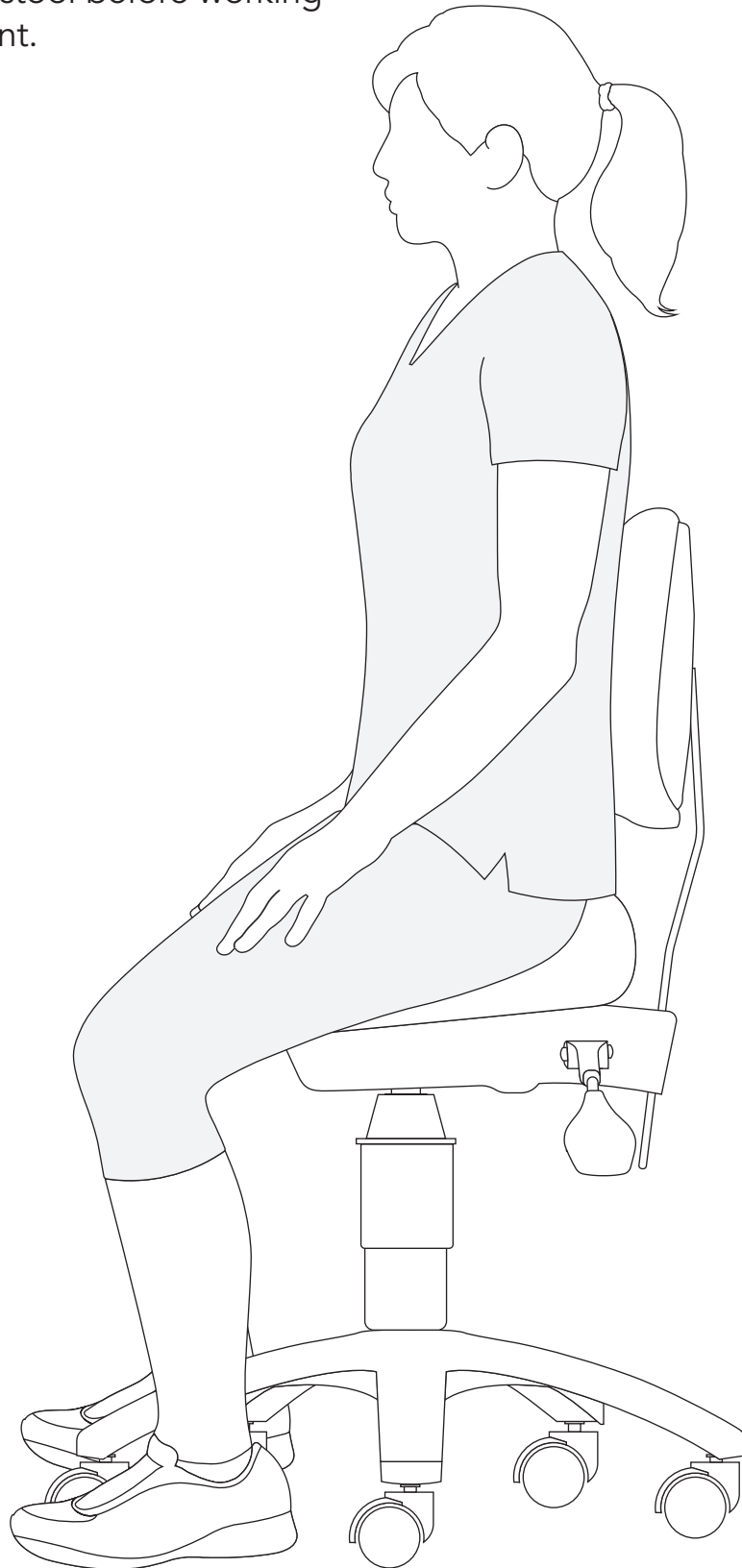
6.



Set the height of the backrest and tighten the hand wheel.

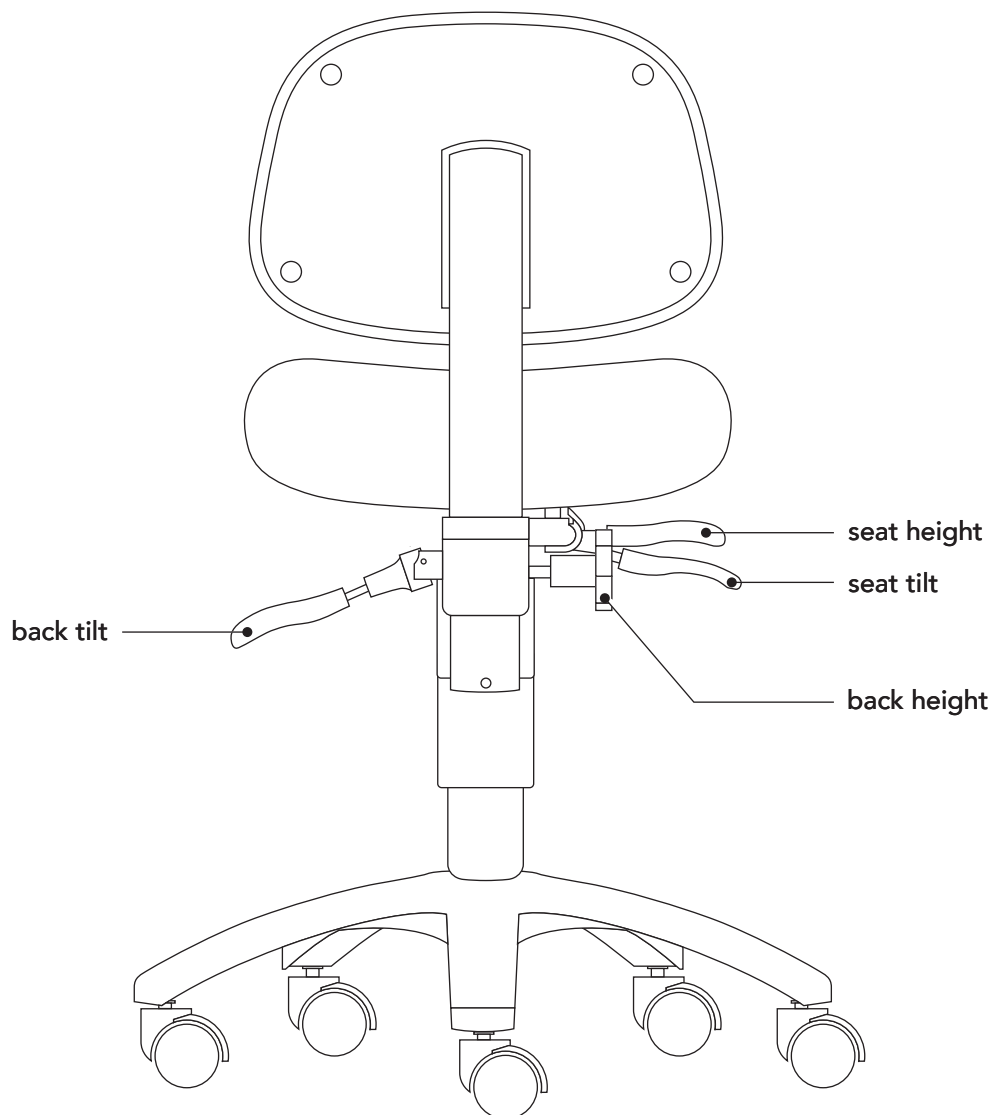
7.

Sit on the stool before working on a patient.





STOOL FUNCTIONS

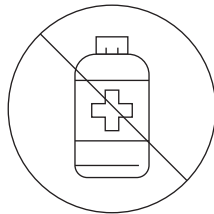




MAINTENANCE

UPHOLSTERY

Clean cushions regularly. If dye transfer from clothing occurs (normally from new or moist clothing), wipe it off immediately. Some fabrics eg. denim, which lose dye in laundering are a particular problem.



Never use alcohol to clean your stool. A pH neutral detergent works best. Alcohol will cause the vinyl to become brittle and crack.

CASTERS

Keep the casters clean. Even small amounts of dirt (eg. dust and hair) will be picked up by the casters and pushed back into the floor, which can result in the floor getting marked.



CHAIR MECHANISM

Oil the mechanism periodically.

