



PRODUCT SPECIFICATIONS

Simple Stool

www.australiandental.com.au/simple-dental-stool

ade **australian
dental
engineering**

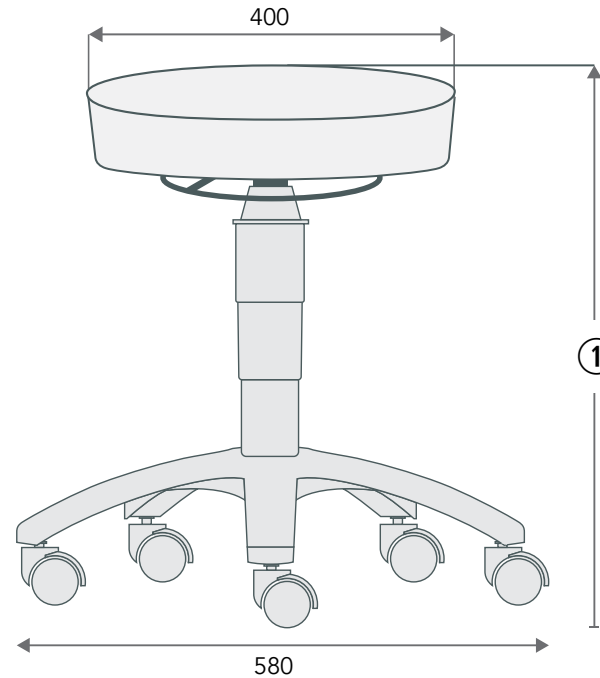
Tel: +61 3 9391 3552
Email: sales@australiandental.com.au
Fax: +61 3 9923 6516

Factory address:
13/17 Chambers Road, Altona North,
VIC 3025, Australia

Postal address:
PO Box 200, Altona North,
VIC 3025, Australia

Simple Stool

Note: Dimensions are in mm.



PRODUCT OPTIONS

The Simple Stool is fitted with a 140 stroke gas lift as standard. If you require a higher or lower stool, alternative gas lifts are available (see table below).

Gas lift stroke	Seat height ^①	
	MIN	MAX
100	490	575
140	510	640
160	555	710
200	580	770

Note:

- Heights are estimates only (tolerance 10mm)
- With alloy base fitted, all heights are reduced by 20mm

COMPONENTS

Dark grey  Black  White 

Upholstery

The seat is manufactured with long-lasting injection moulded foam. Choose from over 200 vinyl colours or supply your own. For a full list of colours, see our website. All our vinyls are antibacterial and flame retardant.

Base material

Nylon (standard) or alloy (alloy diameter 600mm).

Friction castors

Fitted with polyurethane soft tire friction castors limiting the stool's movement when pressure is released (e.g. when the user stands up). Free wheel castors can be fitted upon request (black only).

CAPACITY

120kg (evenly spread).

SHIPPING INFO

Stool weight: 7kg
Packaged weight: 9kg
Packaged dimensions: 590mm × 590mm × 510mm

OPTIONAL ACCESSORIES

The height of this stool is normally controlled by the hand lever. A foot activation ring can be fitted (currently grey only). Alternatively, a fixed (see any assistant stool) or adjustable foot ring (similar to 'Drafting Stool') can be fitted.

HOW TO ORDER

Dental companies or government agencies, please contact us directly. Dentists please see our 'store locator' page for a list of our Australian and international distributors.