



PRODUCT SPECIFICATIONS

# Physio Assistant Stool

[www.australiandental.com.au/physio-assistant-dental-stool](http://www.australiandental.com.au/physio-assistant-dental-stool)

**ade** **australian  
dental  
engineering**

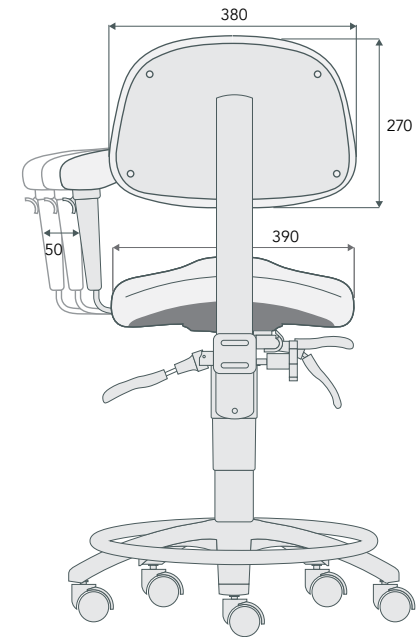
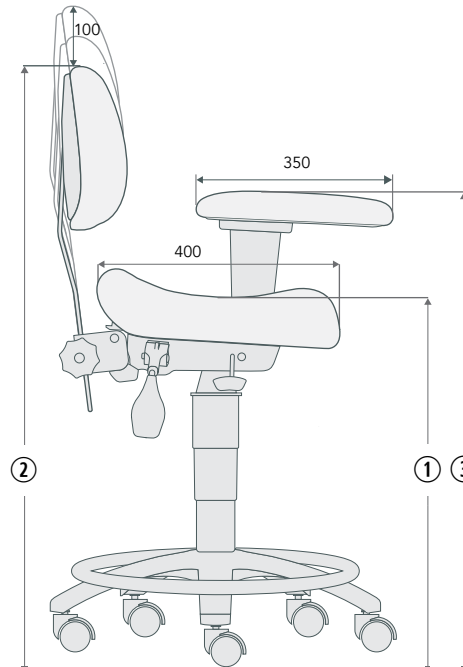
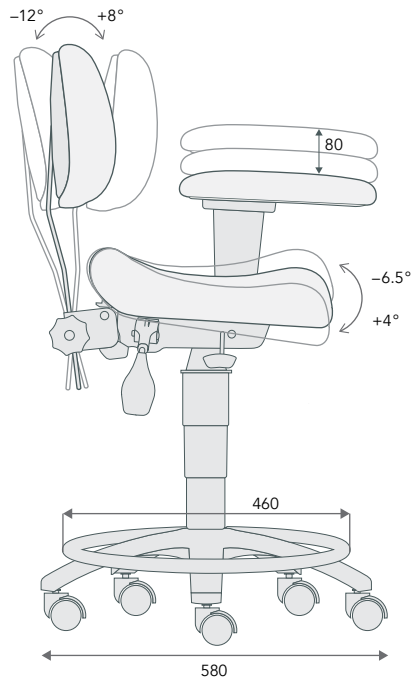
Tel: +61 3 9391 3552  
Email: [sales@australiandental.com.au](mailto:sales@australiandental.com.au)  
Fax: +61 3 9923 6516

Factory address:  
13/17 Chambers Road, Altona North,  
VIC 3025, Australia

Postal address:  
PO Box 200, Altona North,  
VIC 3025, Australia

# Physio Assistant Stool

Note: Dimensions are in mm.



## PRODUCT OPTIONS

The Physio Assistant Stool is fitted with a 160 stroke gas lift as standard. If you require a higher or lower stool, alternative gas lifts are available (see table below).

Gas lift stroke	Seat height ①		Back height ②		Arm height ③	
	MIN	MAX	MIN	MAX	MIN	MAX
100	430	520	730	815	670	730
140	460	580	755	880	670	795
<b>160</b>	<b>500</b>	<b>650</b>	<b>800</b>	<b>950</b>	<b>715</b>	<b>865</b>
200	525	710	820	1010	740	925

### Note:

- Heights are estimates only (tolerance 10mm)
- Vertical movement shown in diagram is in addition to height shown in table
- With alloy base fitted, all heights are reduced by 20mm

## COMPONENTS

Dark grey  Black  White

### Upholstery

The seat is manufactured with long-lasting injection moulded foam. Choose from over 200 vinyl colours or supply your own. For a full list of colours, see our website. All our vinyls are antibacterial and flame retardant.

### Mechanism

Fully ergonomic 3 lever mechanism with independent seat and back adjustment.

### Base material

Nylon (standard) or alloy (alloy diameter 600mm).

### Friction castors

Fitted with polyurethane soft tire friction castors limiting the stool's movement when pressure is released (e.g. when the user stands up). Free wheel castors can be fitted upon request (black only).

## CAPACITY

120kg (evenly spread).

## SHIPPING INFO

Stool weight: 15kg  
Packaged weight: 17.5kg  
Packaged dimensions: 590mm × 590mm × 510mm

## OPTIONAL ACCESSORIES

Height adjustable foot ring (similar to 'Drafting Stool').

## HOW TO ORDER

Dental companies or government agencies, please contact us directly. Dentists please see our 'store locator' page for a list of our Australian and international distributors.