



PRODUCT SPECIFICATIONS

Drafting Stool

www.australiandental.com.au/drafting-stool

ade **australian
dental
engineering**

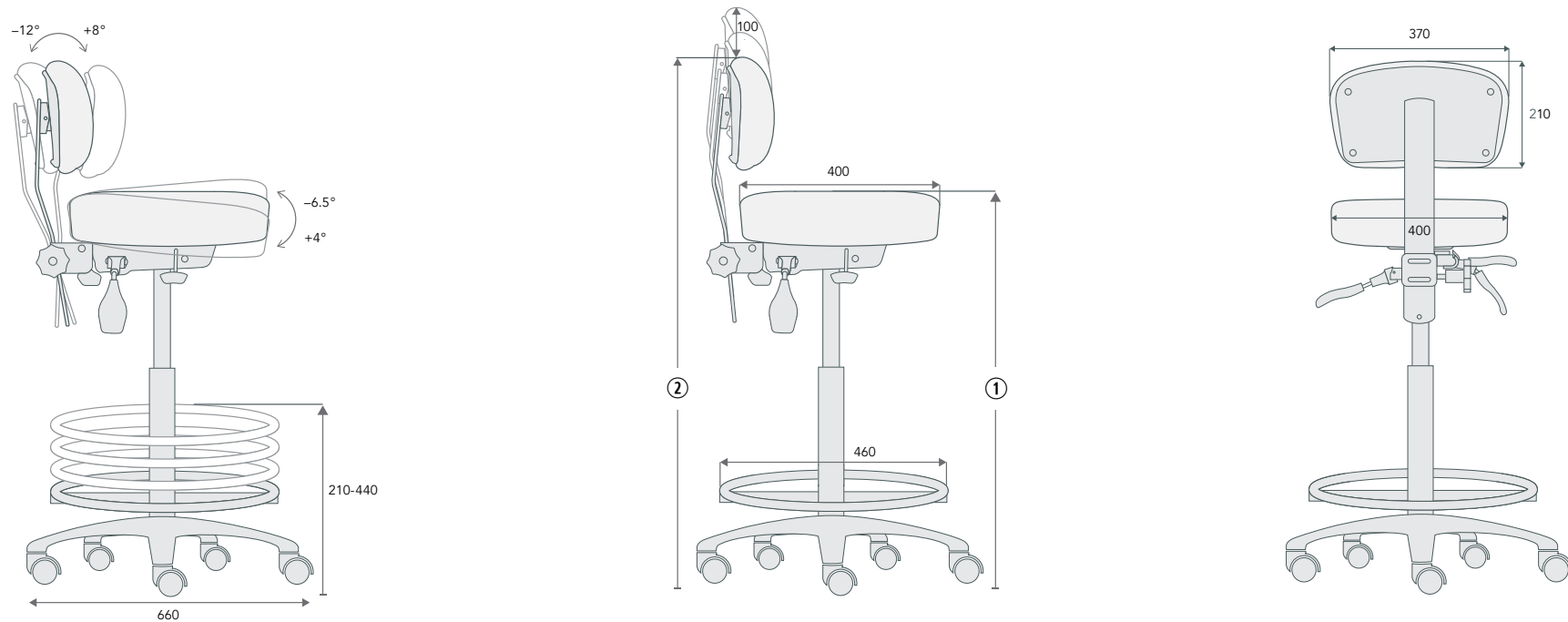
Tel: +61 3 9391 3552
Email: sales@australiandental.com.au
Fax: +61 3 9923 6516

Factory address:
13/17 Chambers Road, Altona North,
VIC 3025, Australia

Postal address:
PO Box 200, Altona North,
VIC 3025, Australia

Drafting Stool

Note: Dimensions are in mm.



PRODUCT OPTIONS

The Drafting Stool is fitted with a 260 stroke gas lift as standard.

Gas lift stroke	Seat height ①		Back height ②	
	MIN	MAX	MIN	MAX
260	610	865	840	1100

Note:

- Heights are estimates only (tolerance 10mm)
- Vertical movement shown in diagram is in addition to height shown in table

COMPONENTS

Dark grey Black White

Upholstery

The seat is manufactured with long-lasting injection moulded foam. Choose from over 200 vinyl colours or supply your own. For a full list of colours, see our website. All our vinyls are antibacterial and flame retardant.

Mechanism

Fully ergonomic 3 lever mechanism with independent seat and back adjustment.

Base material

Alloy.

Friction castors

Fitted with polyurethane soft tire friction castors limiting the stool's movement when pressure is released (e.g. when the user stands up). Free wheel castors can be fitted upon request (black only).

CAPACITY

120kg (evenly spread).

SHIPPING INFO

Stool weight: 11.5kg
 Packaged weight: 13.5kg
 Packaged dimensions: 590mm × 590mm × 690mm

HOW TO ORDER

Dental companies or government agencies, please contact us directly. Dentists please see our 'store locator' page for a list of our Australian and international distributors.