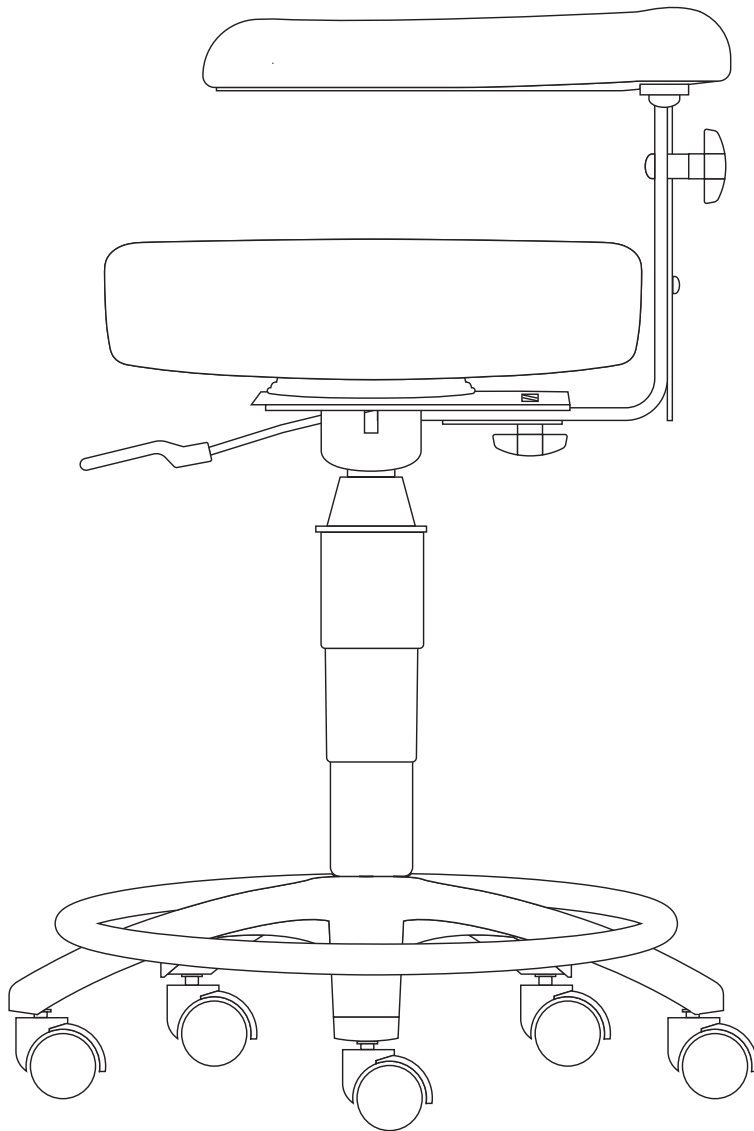
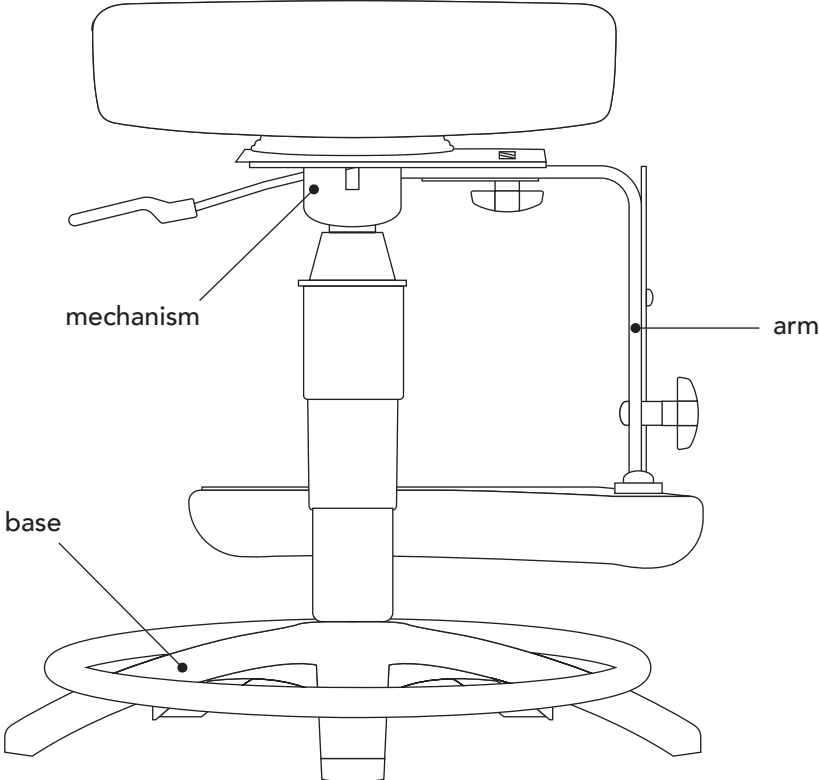


# ASSISTANT B DENTAL STOOL

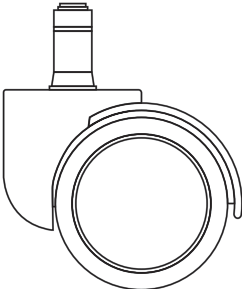
## ASSEMBLY & MAINTENANCE



# CONTENTS



Stool × 1

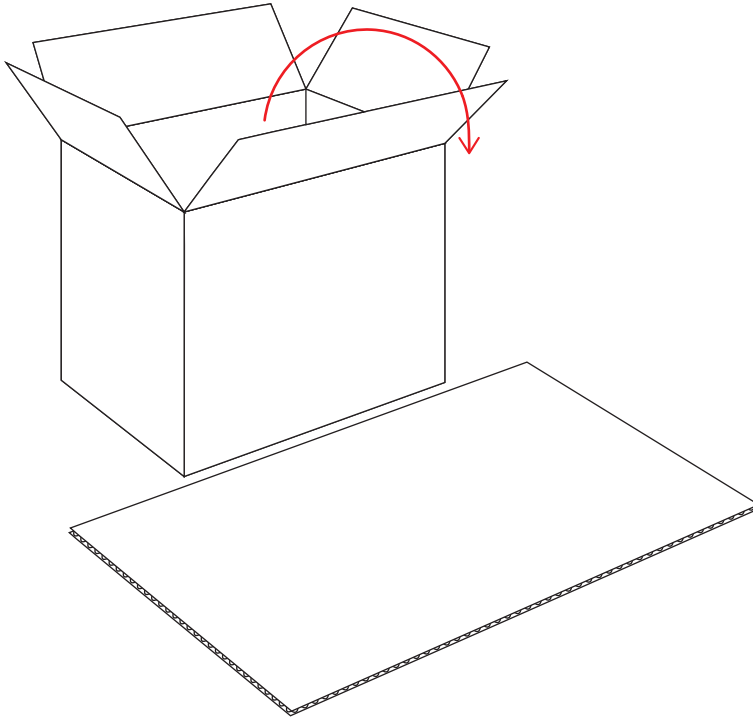


Casters × 5

# ASSEMBLY

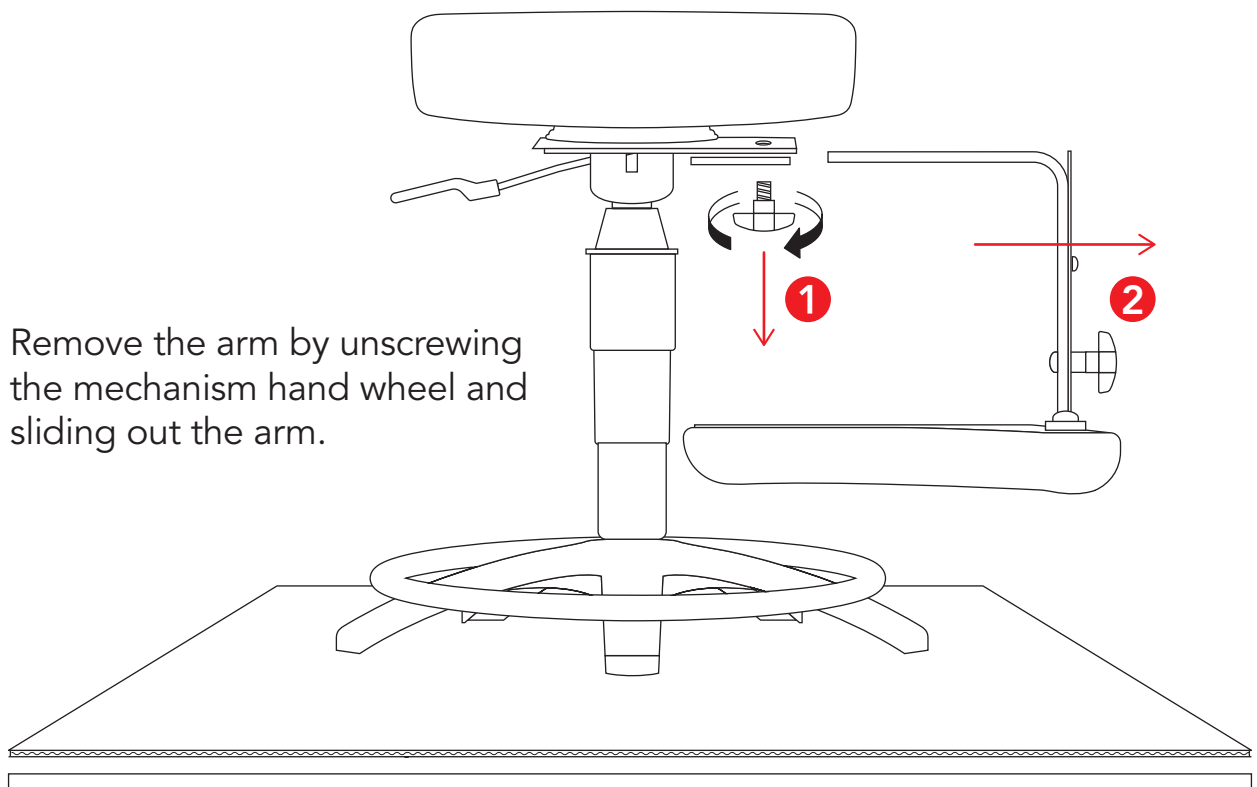
1.

Place the items from the carton onto some cardboard or plastic.



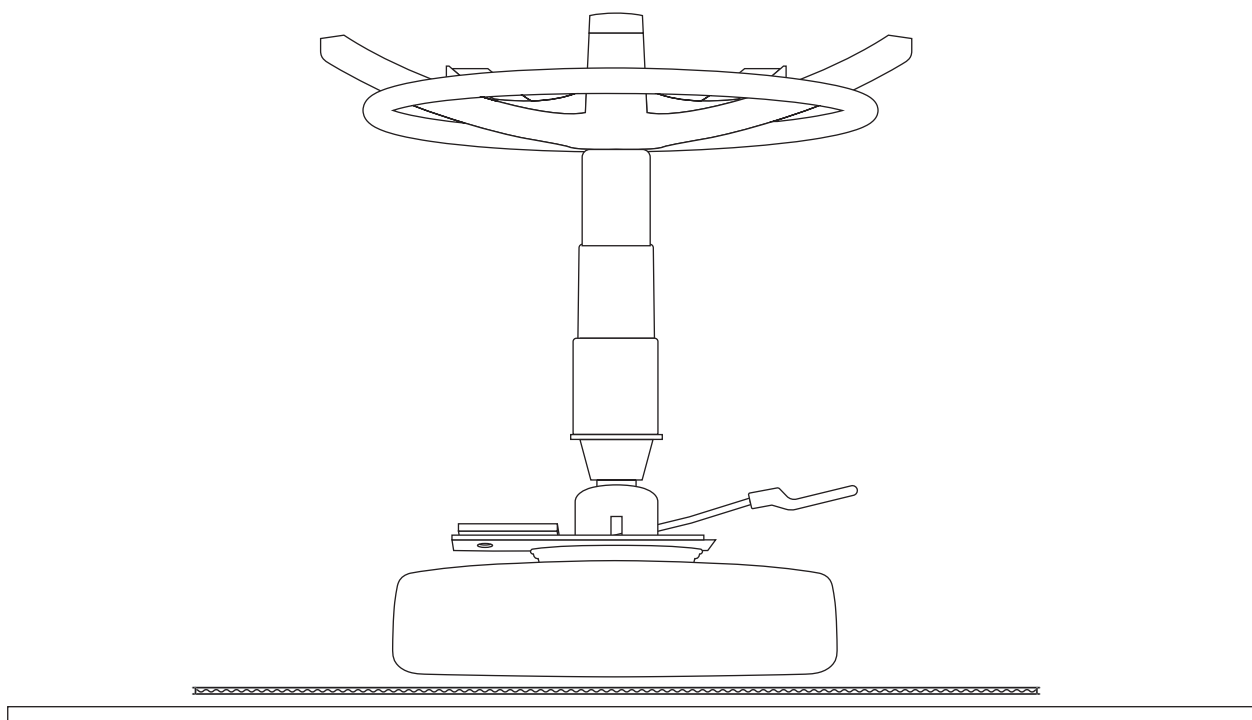
2.

Remove the arm by unscrewing the mechanism hand wheel and sliding out the arm.



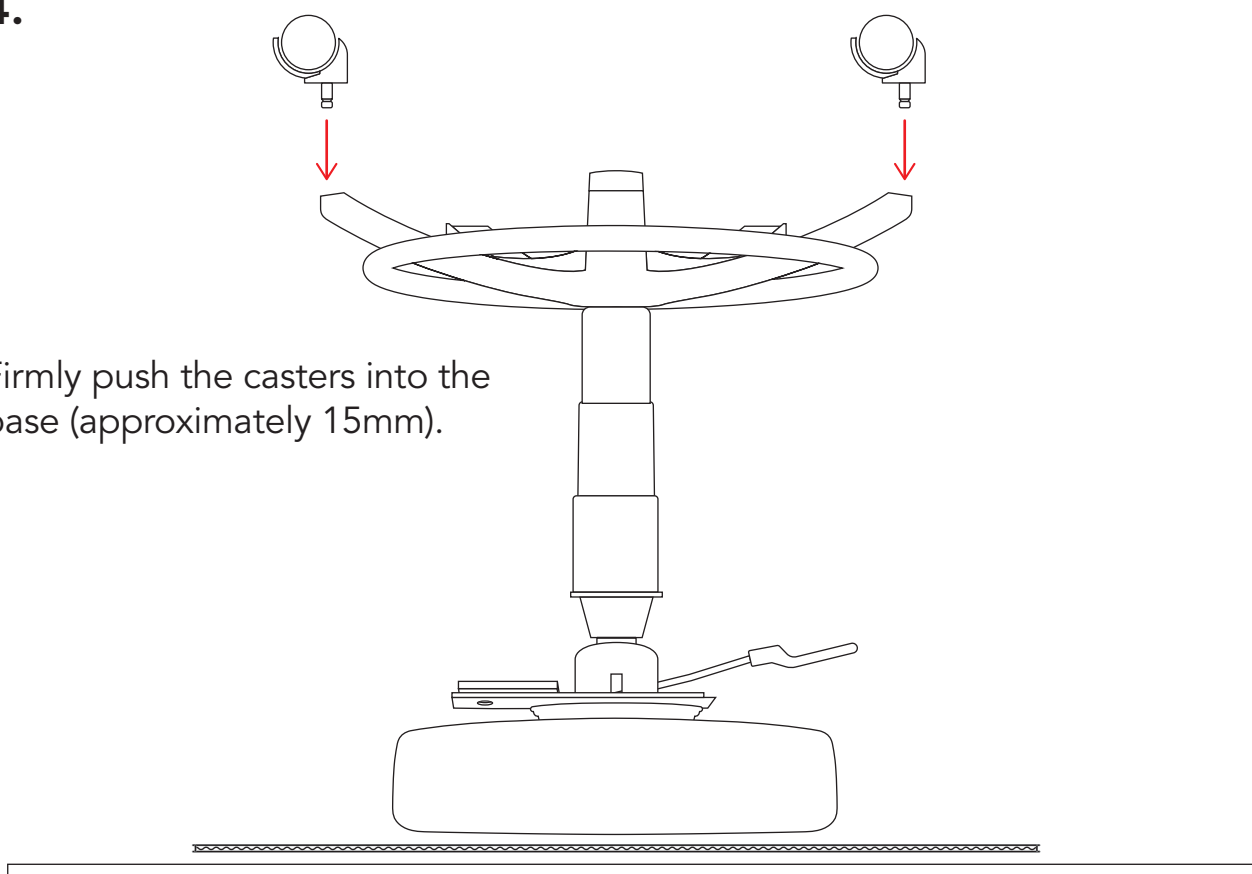
3.

Place the stool with the cushion facing down (ensure the cushion is protected from the floor).



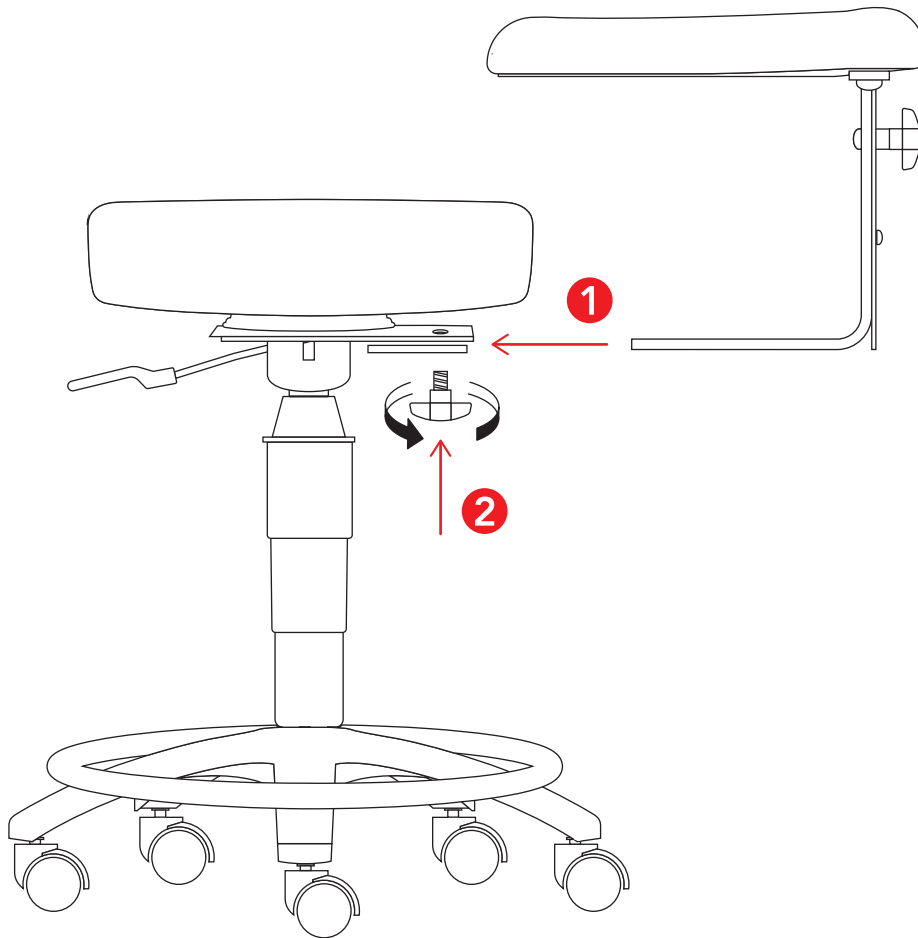
4.

Firmly push the casters into the base (approximately 15mm).



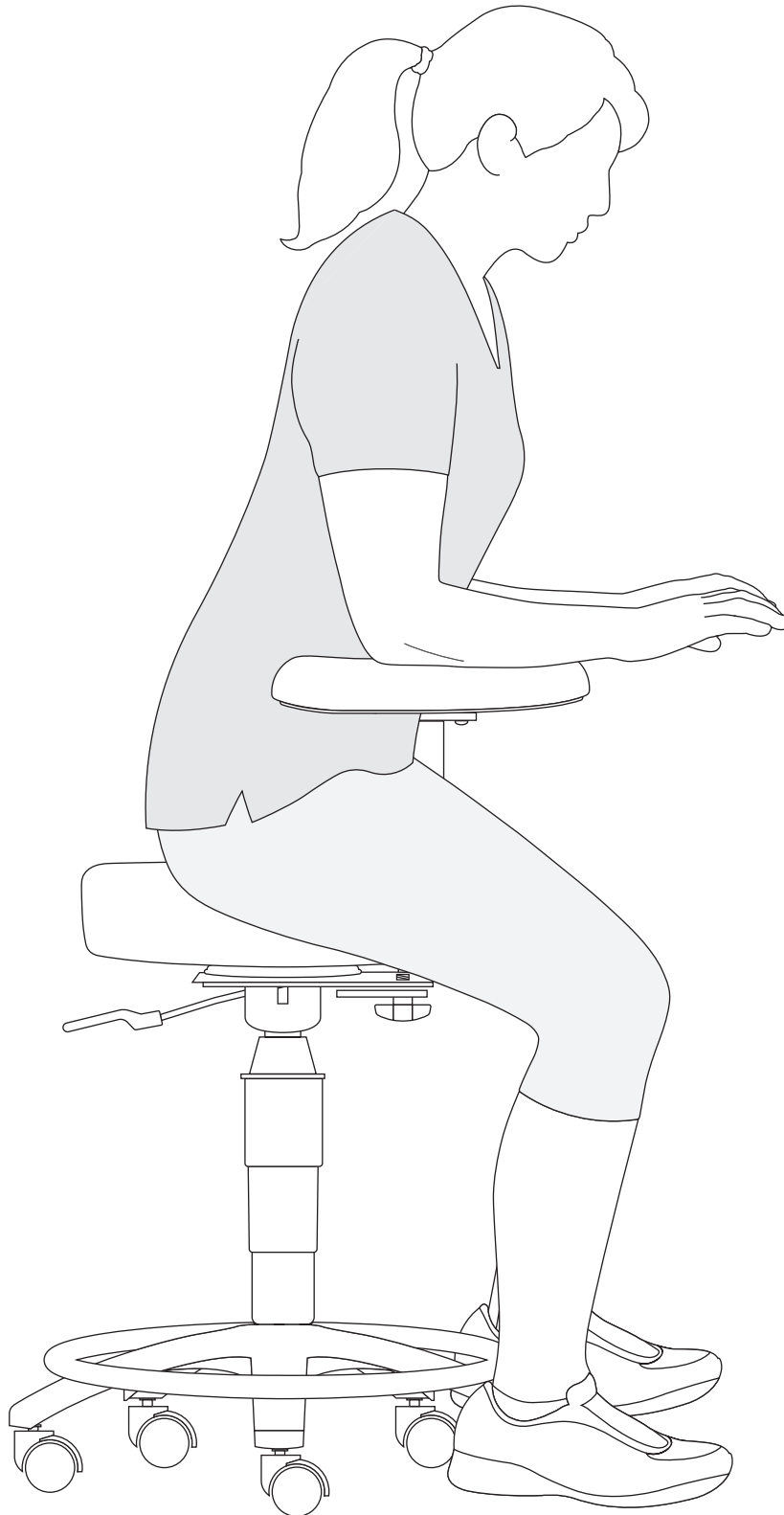
## 5.

Turn the stool the upright. Slide the arm back into the mechanism and screw in the hand wheel. Supporting the weight of the arm will allow the hand wheel to be tightened more easily.



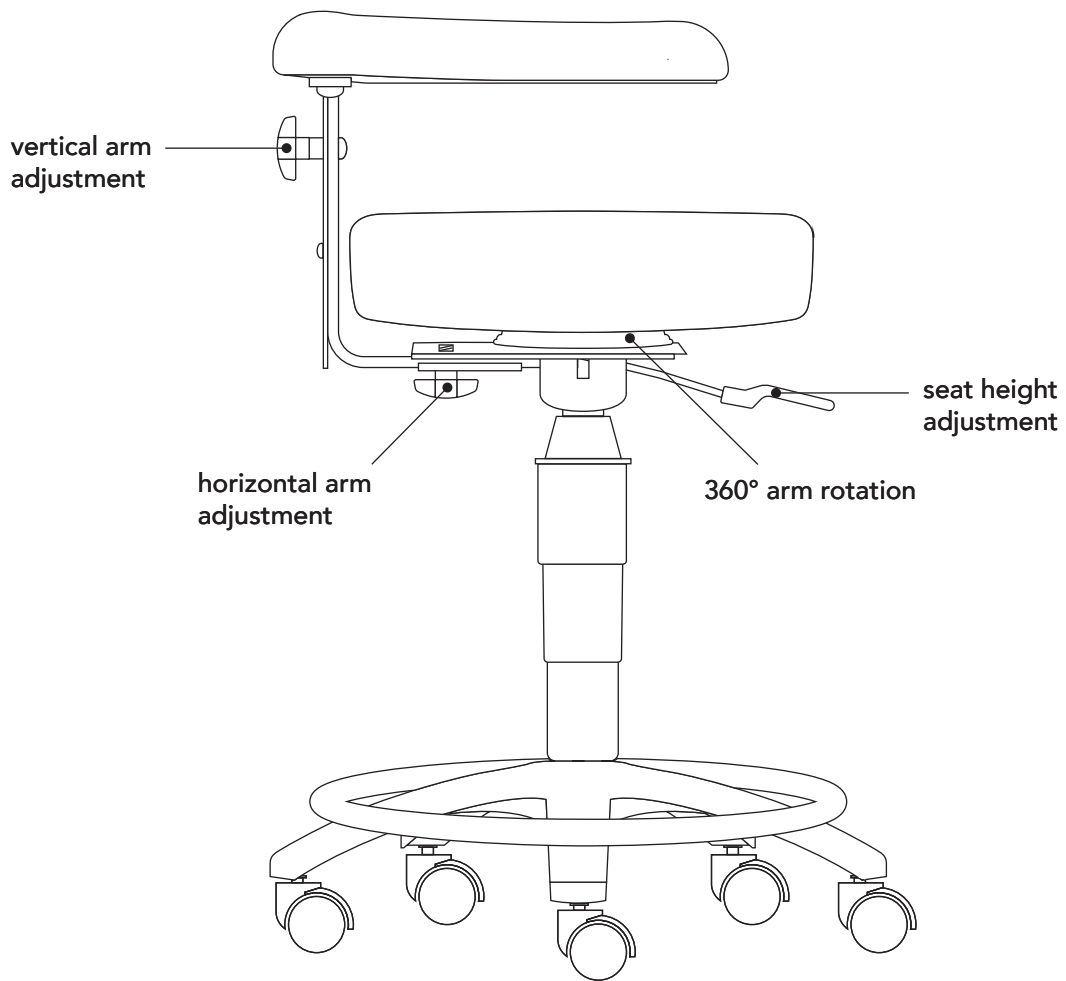
## 6.

Sit on the stool and test the arm by pushing your forearms against the cushion. It is critical that both hand wheels have been done up tightly.





# STOOL FUNCTIONS

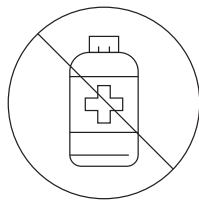




# MAINTENANCE

## UPHOLSTERY

Clean cushions regularly. If dye transfer from clothing occurs (normally from new or moist clothing), wipe it off immediately. Some fabrics eg. denim, which lose dye in laundering are a particular problem.



*Never use alcohol to clean your stool. A pH neutral detergent works best. Alcohol will cause the vinyl to become brittle and crack.*

## CASTERS

Keep the casters clean. Even small amounts of dirt (eg. dust and hair) will be picked up by the casters and pushed back into the floor, which can result in the floor getting marked.





## ARM

Tighten the arm and handwheels periodically.

**x2**

